

# QSY3401

## User's Manual



## The Users' Guide & Maintenance Manual of the Precise Screen Printer

### 1. Parameter

#### 1.1 Adjustable Scope:

X axis: 0~10mm

Y axis: 0~10mm

Z axis: 6mm

$\theta$  rotation angle:  $\pm 2^\circ$

#### 1.2 Practicable stencil dimension:

470mm×370mm

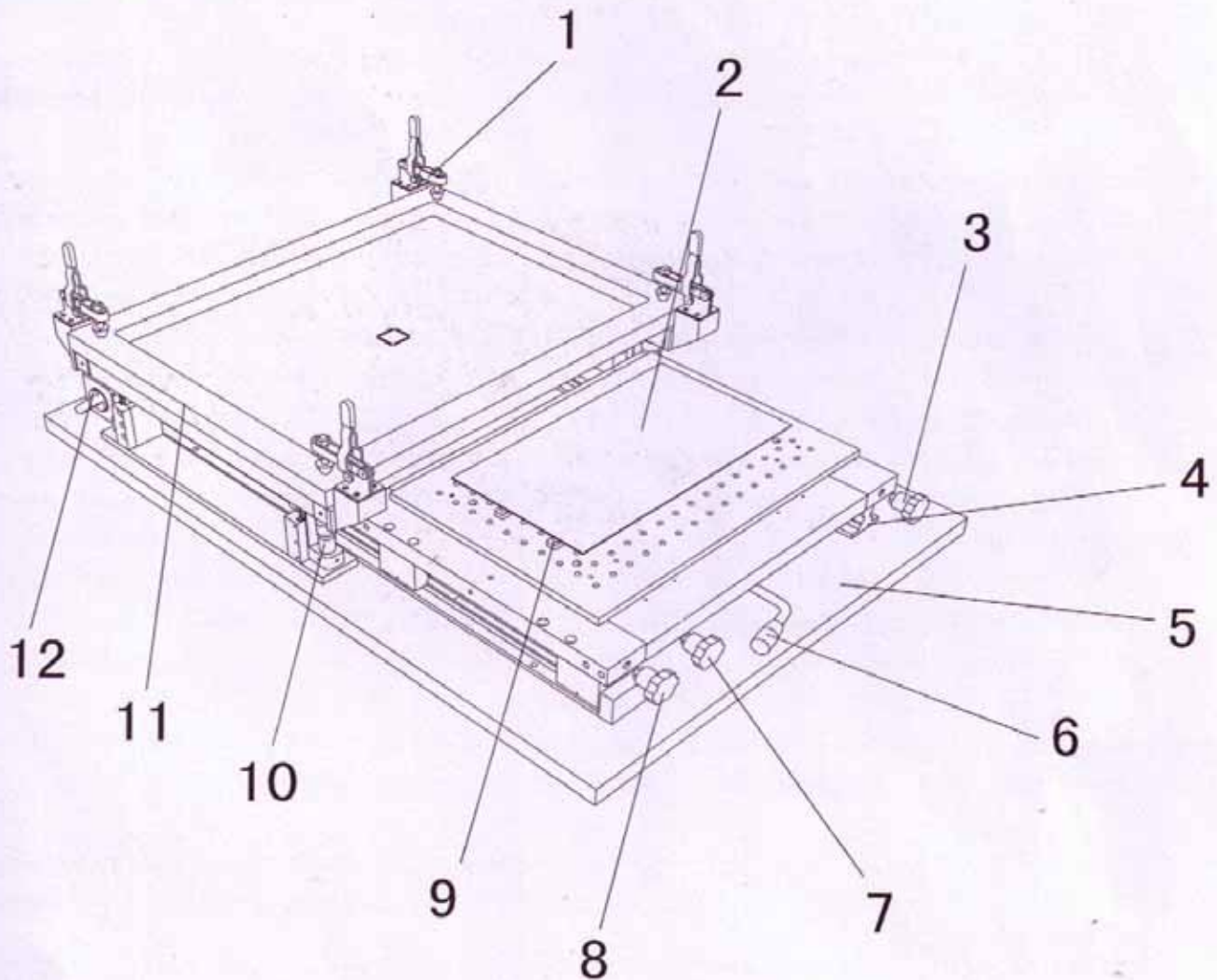
#### 1.3 Practicable PCB dimension:

300mm×220mm

#### 1.4 Weight:

17kg

### 2. Outline (See the Picture)



1-Quick Clamp

4-Slide Guide

7- $\theta$  rotation Crank

10-Z axis Tune Knob

2-Workbench

5-Base Plate

8-X axis Tune Knob

11-Stencil Backstop

3-Y axis Tune Knob

6-Up/Down Crank

9-Locating Dowels

12-X axis Lock

### 3. Users' guide

#### 3.1 Installation of stencil

Place the stencil on the backstop in the right position, then press the 4 quick clamps tightly, if the stencil is not impacted enough yet, adjusting the pressure upon the press-pole on the quick clamps by adjusting the screwed nut in the press-pole-screw.

#### 3.2 The primary orientation of the PCB

Place the workbench in the print-preparing zone in the right side, and let the workbench surface be placed in a loosened status. Put the prepared PCB on the 4 locating dowels, but there is no need to tighten the dowels immediately, while moving the workbench into the screen print zone should be executed firstly, which is followed by pulling the magnet to "ON". Secondly, raise the workbench surface with the Up/Down crank, and then adjust the height of 4 stencil corners by twisting the 4 Z axis tune knobs, to have an equal clearance between stencil and PCB. Thirdly, put hands under the stencil, and move the PCB to make the pads have good alignment with the stencil print holes correspondingly. After primary contraposition, please lower the workbench surface with the Up/Down crank, and pull the magnet to "Off", then pull out the workbench. Now, it's the very time to tighten the 4 locating dowels. Notice: Don't touch away the 4 dowels, and the 4 wimple-tines of the dowel should always keep a good contact with the 4 orientation holes.

#### 3.3 The precise orientation of the PCB

Push the disposed workbench and PCB into the undersurface of the stencil, then raise the workbench again, please adjust the height of 4 stencil corners by twisting the 4 Z axis tune knobs, to keep the stencil have a good contact with PCB. The rest you need to do is to make the pads of PCB aim the holes in the stencil by adjusting the X axis, Y axis and  $\theta$  rotation angle.

#### NOTICE:

1. Make sure the workbench is disentangled before push and pull it.
2. Lightly movement is required while pushing and pulling the workbench; forcibly collision to the orientation block and magnet is strictly forbidden for the assurance to the accuracy of the product.
3. Adjust the stroke of X axis, Y axis and  $\theta$  rotation angle to the center position before each print job, in favor of the adjustment to the board.

4. Routine maintenance: Keep the equipment clean

5. Accessories: 4 Locating dowels, 4 Screws, a six flat spanner